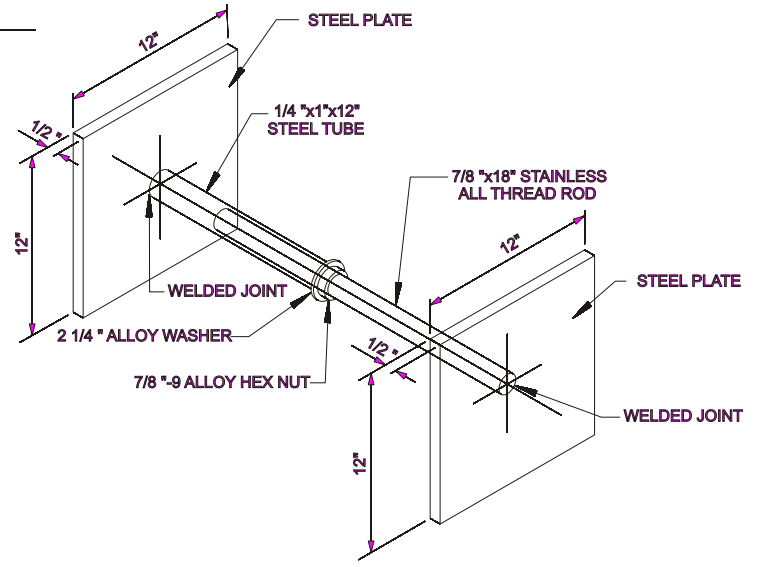
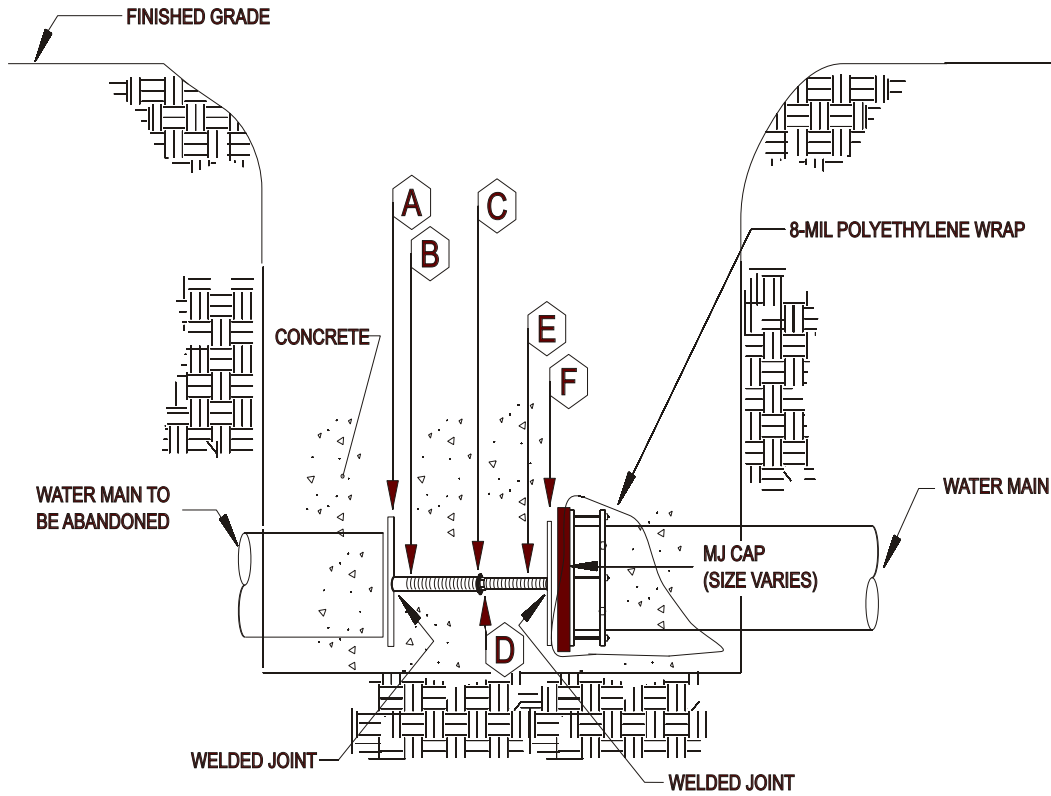


PADUCAH WATER STANDARD SPEC DRAWING NO. PW-23
 TYPICAL BLOCK JACK INSTALLATION DETAIL



TYPICAL BLOCK JACK
 (<8" WATER MAINS)

NOTES:

- 1.) THE JACK WILL BE LEFT IN PLACE WITH A CONCRETE KICKER.
- 2.) ENSURE ENDS OF EXISTING WATER MAIN ARE CUT SQUARELY PRIOR TO INSTALLATION.
- 3.) THE COST OF THIS ITEM SHALL BE INCIDENTAL TO THE PAY ITEM FOR TAPPING SLEEVE & VALVE WHERE APPLICABLE FOR CAPPED INSTALLATION.

- A** 1/2" X 12" X 12" (MIN. LENGTH) STEEL PLATE
- B** 1/4" X 1" X 12" (MIN. LENGTH) STEEL TUBE
- C** 2 1/4" ALLOY WASHER
- D** 7/8" - 9 ALLOY HEX NUT
- E** 7/8" X 18" (MIN. LENGTH) STAINLESS ALL THREAD ROD
- F** 1/2" X 12" X 12" (MIN. LENGTH) STEEL PLATE

NOTE:
 THE JACK WILL BE LEFT IN PLACE WITH CONCRETE KICKER.

